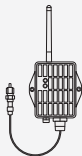




Smart Leak Sensor Quick Start Guide

yardpro.com | @yardproapp

What you get



Smart Leak
Sensor



12" of 1/4"
drip line tubing



1/8" hose
barb



Irrigation
hole punch



New to YardPro?

You'll need the YardPro app to set up your sensor. To get started, download the app and add your property.



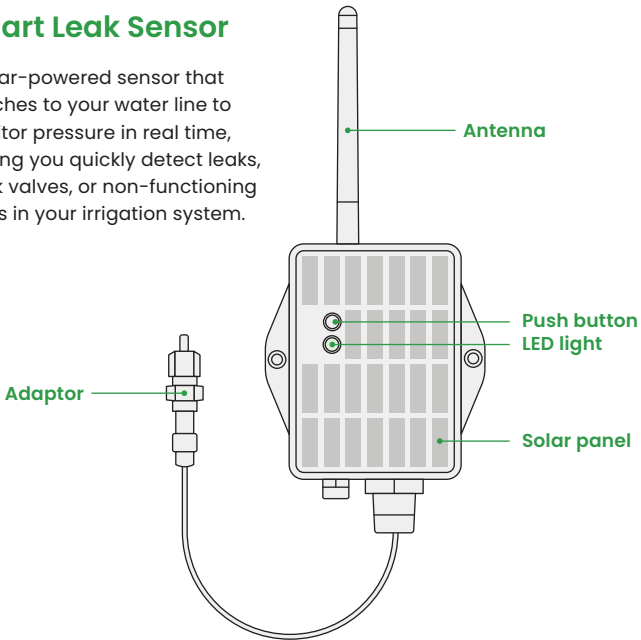
Download on the
App Store



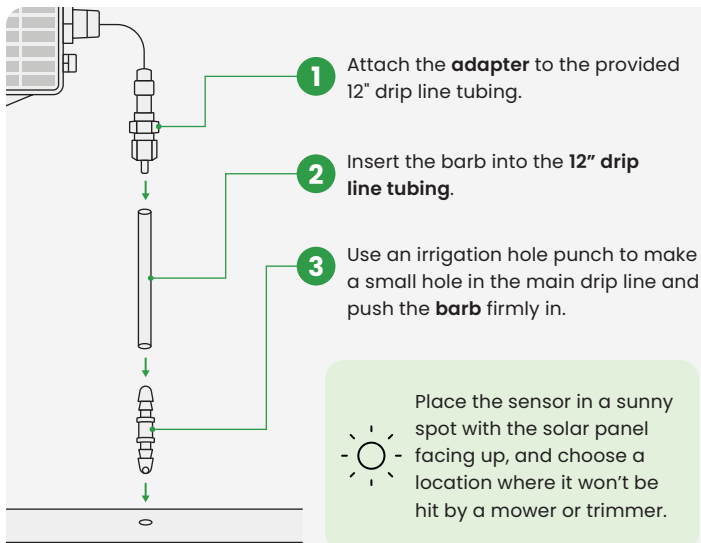
GET IT ON
Google Play

Smart Leak Sensor

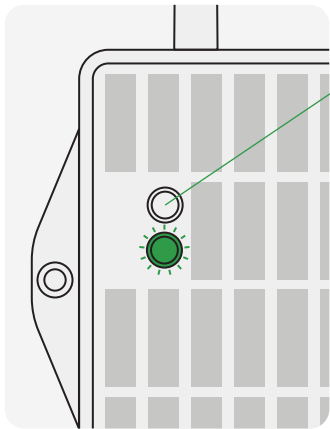
A solar-powered sensor that attaches to your water line to monitor pressure in real time, helping you quickly detect leaks, stuck valves, or non-functioning zones in your irrigation system.



Step 1 Connect to your water line



Step 2 Connect to the YardPro Hub →



Press and hold the push button on the sensor for **5 seconds**. Let go when the green light stops blinking.



A **solid green light** confirms a successful connection.

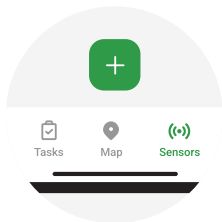


Once connected, a **blue light** will blink every minute to confirm the sensor is sending data to the YardPro servers.



If it doesn't connect, try again by holding the button for 5 seconds.

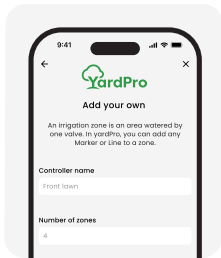
Step 3 Connect to the app →



Open the **YardPro app** and tap **+** on the **Sensors** page.



Scan the QR code located on the side of your sensor.



Name your sensor, assign it to a zone, and you're connected!

Need help?

Scan the QR code for quick **how-to videos**.

Go to **YardChat** to connect with other users and ask questions or email us at support@yardpro.com.



Step 4 Calibrate your sensor

1



Run your irrigation zone for 10 minutes to let the sensor collect pressure data.

2



Once calibrated, **open the app** to view live readings.

3



The app automatically sets a minimum pressure threshold.

4



When water is running, you'll see your current pressure in real time.

5



If pressure drops below the threshold, app and email alerts will notify you of possible leaks.

6



For a detailed view, tap the zone in the app to see historical and live data.

Device specifications

Supply Voltage: 2.5v ~ 3.6v

Range: 1 mile

Temperature operating range: (-40 °F to 185 °F)

Power: 0.9 W Solar, 3000 mAh Li/SOCl₂ Battery

Long-term usage: IP66 waterproof design, ensuring enhanced durability for long-lasting satisfaction.

Solar-powered: The TS01-LS is solar-powered, with a backup Li-on battery, ensuring long-term operation and reliability even in remote outdoor environments.

FCC compliance statement

The YardPro Smart Sensors consist of FCC-certified transmitters authorized by the FCC under FCC ID: 2AAS9TBMH10

The YardPro Smart Leak Sensor (Model YP-SLS-251) is authorized under FCC ID: ZHZPSLB.

These devices comply with part 15 of the FCC Rules. Operation is subject to the following two conditions:

1. This device may not cause harmful interference, and
2. This device must accept any interference received, including interference that may cause undesired operation.

CAUTION: The grantee is not responsible for any changes or modifications not expressly approved by the party responsible for compliance. Such modifications could void the user's authority to operate the equipment.

NOTE: This equipment has been tested and found to comply with the limits for a Class B digital device, pursuant to part 15 of the FCC Rules. These limits are designed to provide reasonable protection against harmful interference in a residential installation. This equipment generates,

uses, and can radiate radio-frequency energy, and if not installed and used in accordance with the instructions, may cause harmful interference to radio communications. However, there is no guarantee that interference will not occur in a particular installation. If this equipment does cause harmful interference to radio or television reception—which can be determined by turning the equipment off and on—the user is encouraged to try to correct the interference by one or more of the following measures:

- Reorient or relocate the receiving antenna.
- Increase the separation between the equipment and receiver.
- Connect the equipment into an outlet on a circuit different from that to which the receiver is connected.
- Consult the dealer or an experienced radio/TV technician for help.

RF exposure statement

This equipment complies with FCC RF radiation exposure limits set forth for an uncontrolled environment. This equipment should be installed and operated with a minimum distance of 20 cm between the radiator and your body.

Limited warranty

YardPro warrants that a new YardPro sensor will be free from material defects in materials and workmanship for a period of one (1) year from the date of purchase from YardPro. YardPro will repair or replace, free of charge, any product deemed defective with a product of the same or equivalent model.

Do not use your product until you have read the terms of the warranty. If you do not agree to the terms of the warranty, do not use your product and return it within 30 days of purchase to YardPro for a refund.